


Applications :

- CATV
- Telecommunication networks
- Active device termination
- Metro
- Local Area Networks (LANs)
- Data processing network
- Test equipment
- Premise installations
- Wide Area Networks (WANs)
- FTTX

Features :

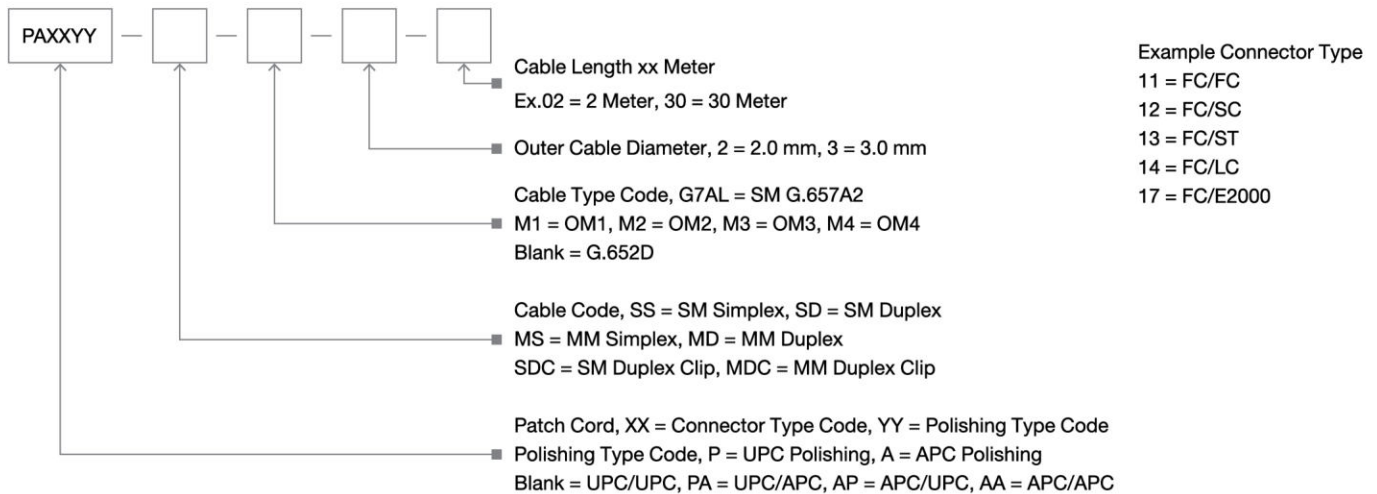
- Low insertion loss and back reflection loss
- Good exchangeability
- Good durability
- High temperature stability
- Standard : Telcordia GR-326-CORE, ITU-T

Availability :

- Simplex/Duplex patch cord available
- Various boot (Cable) size available

Specifications :

Parameter	Singlemode	Multimode
Insertion Loss	UPC \leq 0.2 dB, APC \leq 0.3 dB	\leq 0.3 dB
Return Loss	UPC \geq 50 dB, APC \geq 60 dB	N/A
Fiber Type	G.652D, G.655, G.657A2, G.657B3	OM2, OM3, OM4, OM5
Fiber Core/Cladding	9/125 μ m	50/125 μ m
Polishing Grade	UPC, APC	UPC
Wavelength	1310/1550 nm	850/1310 nm
Repeatability	\leq 0.1 dB	
Durability	\leq 0.2 dB typical change, 500 matings	
Interchangeability	\leq 0.2 dB	
Tensile Strength	$>$ 10 kg	
Cable Diameter	2.0, 2.4, 3.0 mm	
Cable Jacket	PVC, LSZH (Low Smoke Zero Halogen)	
Operation Temperature	-40 to +75°C	


Ordering Information :

P/N	Descriptions
PA11-SD-G7AL-2-05	Patch Cord FC/FC SM G657A2 DX2 LS 5M
PA11-SS-G7AL-2-05	Patch Cord FC/FC SM G657A2 SX2 LS 5M
PA11-SS-G7AL-3-05	Patch Cord FC/FC SM G657A2 SX3 LS 5M
PA11AA-SS-G7AL-2-05	Patch Cord FCA/FCA SM G657A2 SX2 LS 5M
PA11-SD-2-05	Patch Cord FC/FC SM DX2 LS 5M
PA11-SS-2-05	Patch Cord FC/FC SM SX2 LS 5M
PA11AA-SD-2-05	Patch Cord FCA/FCA SM DX2 LS 5M
PA11AA-SS-2-05	Patch Cord FCA/FCA SM SX2 LS 5M
PA11-MD-M3-2-05	Patch Cord FC/FC MM OM3 DX2 LS 5M
PA11-MS-M3-2-05	Patch Cord FC/FC MM OM3 SX2 LS 5M
PA11-MD-M4-2-05	Patch Cord FC/FC MM OM4 DX2 LS 5M
PA11-MS-M4-2-05	Patch Cord FC/FC MM OM4 SX2 LS 5M

Connector Type FC = FC UPC, FCA = FC APC, Cable Type SM = Singlemode Fiber, MM = Multimode Fiber
DX2 = Duplex 2.0 mm. Cable, DX3 = Duplex 3.0 mm. Cable, SX2 = Simplex 2.0 mm. Cable, SX3 = Simplex 3.0 mm. Cable, LSZH = Low Smoke Zero Halogen



Applications :

- CATV
- Telecommunication networks
- Active device termination
- Metro
- Local Area Networks (LANs)
- Data processing network
- Test equipment
- Premise installations
- Wide Area Networks (WANs)
- FTTX

Features :

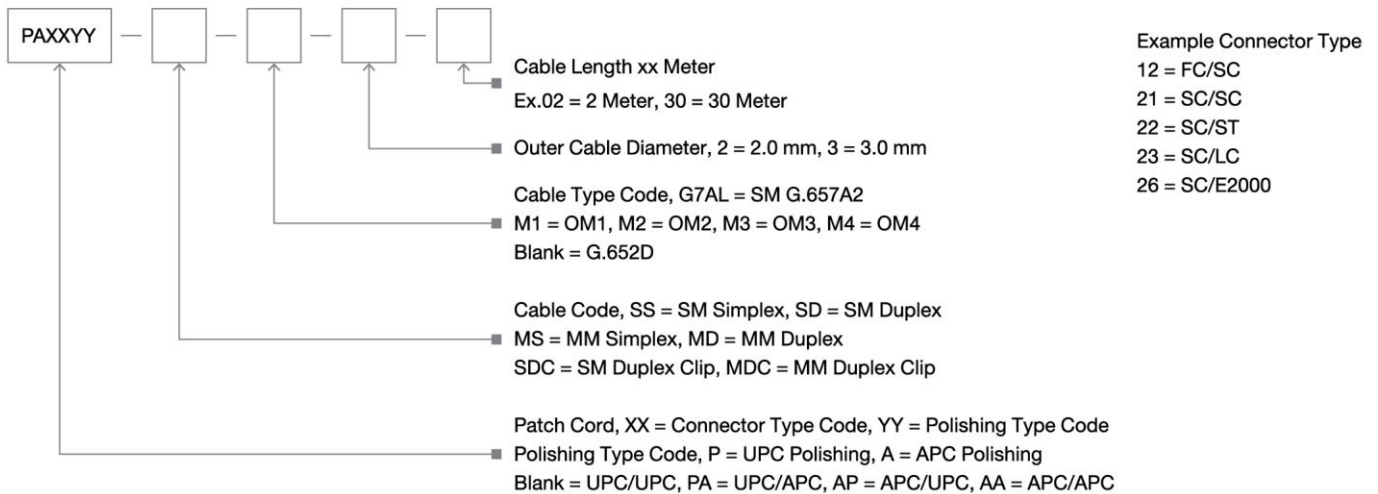
- Low insertion loss and back reflection loss
- Good exchangeability
- Good durability
- High temperature stability
- Standard : Telcordia GR-326-CORE, ITU-T

Availability :

- Simplex/Duplex patch cord available
- Various boot (Cable) size available

Specifications :

Parameter	Singlemode	Multimode
Insertion Loss	UPC \leq 0.2 dB, APC \leq 0.3 dB	\leq 0.3 dB
Return Loss	UPC \geq 50 dB, APC \geq 60 dB	N/A
Fiber Type	G.652D, G.655, G.657A2, G.657B3	OM2, OM3, OM4, OM5
Fiber Core/Cladding	9/125 μ m	50/125 μ m
Polishing Grade	UPC, APC	UPC
Wavelength	1310/1550 nm	850/1310 nm
Repeatability	\leq 0.1 dB	
Durability	\leq 0.2 dB typical change, 500 matings	
Interchangeability	\leq 0.2 dB	
Tensile Strength	$>$ 10 kg	
Cable Diameter	2.0, 2.4, 3.0 mm	
Cable Jacket	PVC, LSZH (Low Smoke Zero Halogen)	
Operation Temperature	-40 to +75 °C	



Ordering Information :

P/N	Descriptions
PA21-SDC-G7AL-2-05	Patch Cord SC/SC SM G657A2 DX2 Clip LS 5M
PA21-SS-G7AL-2-05	Patch Cord SC/SC SM G657A2 SX2 LS 5M
PA21AA-SDC-G7AL-2-05	Patch Cord SCA/SCA SM G657A2 DX2 Clip LS 5M
PA21AA-SS-G7AL-3-05	Patch Cord SCA/SCA SM G657A2 SX3 LS 5M
PA21-SDC-2-05	Patch Cord SC/SC SM DX2 Clip LS 5M
PA21-SS-2-05	Patch Cord SC/SC SM SX2 LS 5M
PA21AA-SDC-2-05	Patch Cord SCA/SCA SM DX2 Clip LS 5M
PA21AA-SS-2-05	Patch Cord SCA/SCA SM SX2 LS 5M
PA21-MDC-M3-2-05	Patch Cord SC/SC MM OM3 DX2 Clip LS 5M
PA21-MS-M3-2-05	Patch Cord SC/SC MM OM3 SX2 LS 5M
PA21-MDC-M4-2-05	Patch Cord SC/SC MM OM4 DX2 Clip LS 5M
PA21-MS-M4-2-05	Patch Cord SC/SC MM OM4 SX2 LS 5M

Connector Type SC = SC UPC, SCA = SC APC, Cable Type SM = Singlemode Fiber, MM = Multimode Fiber
 DX2 = Duplex 2.0 mm. Cable, DX3 = Duplex 3.0 mm. Cable, SX2 = Simplex 2.0 mm. Cable, SX3 = Simplex 3.0 mm. Cable, LSZH = Low Smoke Zero Halogen



Applications :

- CATV
- Telecommunication networks
- Active device termination
- Metro
- Local Area Networks (LANs)
- Data processing network
- Test equipment
- Premise installations
- Wide Area Networks (WANs)
- FTTH

Features :

- Low insertion loss and back reflection loss
- Good exchangeability
- Good durability
- High temperature stability
- Standard : Telcordia GR-326-CORE, ITU-T

Availability :

- Simplex/Duplex patch cord available
- Various boot (Cable) size available

Specifications :

Parameter	Singlemode	Multimode
Insertion Loss	UPC \leq 0.2 dB, APC \leq 0.3 dB	\leq 0.3 dB
Return Loss	UPC \geq 50 dB, APC \geq 60 dB	N/A
Fiber Type	G.652D, G.655, G.657A2, G.657B3	OM2, OM3, OM4, OM5
Fiber Core/Cladding	9/125 μ m	50/125 μ m
Polishing Grade	UPC, APC	UPC
Wavelength	1310/1550 nm	850/1310 nm
Repeatability	\leq 0.1 dB	
Durability	\leq 0.2 dB typical change, 500 matings	
Interchangeability	\leq 0.2 dB	
Tensile Strength	$>$ 10 kg	
Cable Diameter	2.0, 2.4, 3.0 mm	
Cable Jacket	PVC, LSZH (Low Smoke Zero Halogen)	
Operation Temperature	-40 to +75°C	



- Cable Length xx Meter
Ex.02 = 2 Meter, 30 = 30 Meter
- Outer Cable Diameter, 2 = 2.0 mm, 3 = 3.0 mm
- Cable Type Code, G7AL = SM G.657A2
M1 = OM1, M2 = OM2, M3 = OM3, M4 = OM4
Blank = G.652D
- Cable Code, SS = SM Simplex, SD = SM Duplex
MS = MM Simplex, MD = MM Duplex
SDC = SM Duplex Clip, MDC = MM Duplex Clip
- Patch Cord, XX = Connector Type Code, YY = Polishing Type Code
Blank = UPC/UPC

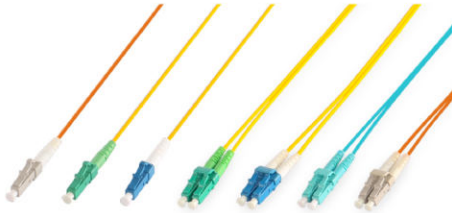
Example Connector Type

- 13 = FC/ST
- 22 = SC/ST
- 31 = ST/ST
- 32 = ST/LC
- 35 = ST/E2000

Ordering Information :

P/N	Descriptions
PA31-SD-G7AL-2-05	Patch Cord ST/ST SM G657A2 DX2 LS 5M
PA31-SS-G7AL-2-05	Patch Cord ST/ST SM G657A2 SX2 LS 5M
PA31-SS-G7AL-3-05	Patch Cord ST/ST SM G657A2 SX3 LS 5M
PA31-SS-2-05	Patch Cord ST/ST SM SX2 LS 5M
PA31-MD-M3-2-05	Patch Cord ST/ST MM OM3 DX2 LS 5M
PA31-MS-M3-2-05	Patch Cord ST/ST MM OM3 SX2 LS 5M

Connector Type ST = ST UPC, Cable Type SM = Singlemode Fiber, MM = Multimode Fiber
DX2 = Duplex 2.0 mm. Cable, DX3 = Duplex 3.0 mm. Cable, SX2 = Simplex 2.0 mm. Cable, SX3 = Simplex 3.0 mm. Cable, LSZH = Low Smoke Zero Halogen



Applications :

- CATV
- Telecommunication networks
- Active device termination
- Metro
- Local Area Networks (LANs)
- Data processing network
- Test equipment
- Premise installations
- Wide Area Networks (WANs)
- FTTX

Features :

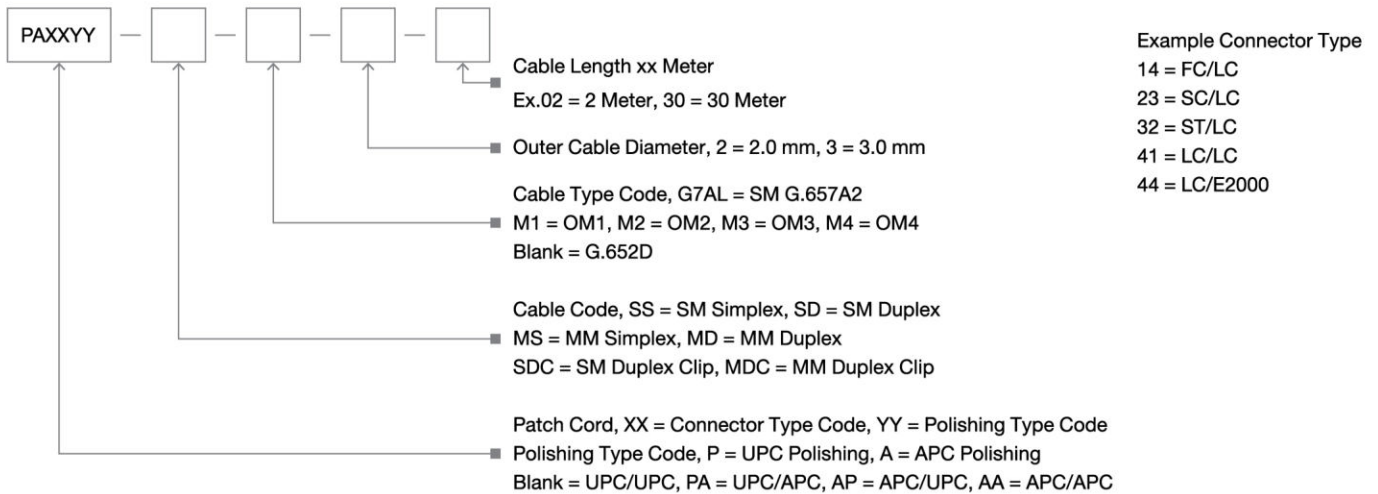
- Low insertion loss and back reflection loss
- Good exchangeability
- Good durability
- High temperature stability
- Standard : Telcordia GR-326-CORE, ITU-T

Availability :

- Simplex/Duplex patch cord available
- Various boot (Cable) size available

Specifications :

Parameter	Singlemode	Multimode
Insertion Loss	UPC ≤ 0.2 dB, APC ≤ 0.3 dB	≤ 0.3 dB
Return Loss	UPC ≥ 50 dB, APC ≥ 60 dB	N/A
Fiber Type	G.652D, G.655, G.657A2, G.657B3	OM2, OM3, OM4, OM5
Fiber Core/Cladding	9/125 μ m	50/125 μ m
Polishing Grade	UPC, APC	UPC
Wavelength	1310/1550 nm	850/1310 nm
Repeatability	≤ 0.1 dB	
Durability	≤ 0.2 dB typical change, 500 matings	
Interchangeability	≤ 0.2 dB	
Tensile Strength	> 10 kg	
Cable Diameter	2.0, 2.4, 3.0 mm	
Cable Jacket	PVC, LSZH (Low Smoke Zero Halogen)	
Operation Temperature	-40 to $+75^{\circ}$ C	



Ordering Information :

P/N	Descriptions
PA41-SDC-G7AL-2-05	Patch Cord LC/LC SM G657A2 DX2 Clip LS 5M
PA41-SS-G7AL-2-05	Patch Cord LC/LC SM G657A2 SX2 LS 5M
PA41AA-SDC-G7AL-2-05	Patch Cord LCA/LCA SM G657A2 DX2 Clip LS 5M
PA41-SS-G7AL-3-05	Patch Cord LC/LC SM G657A2 SX3 LS 5M
PA41-SDC-2-05	Patch Cord LC/LC SM DX2 Clip LS 5M
PA41-SS-2-05	Patch Cord LC/LC SM SX2 LS 5M
PA41AA-SDC-2-05	Patch Cord LCA/LCA SM DX2 Clip LS 5M
PA41AA-SS-2-05	Patch Cord LCA/LCA SM SX2 LS 5M
PA41-MDC-M3-2-05	Patch Cord LC/LC MM OM3 DX2 Clip LS 5M
PA41-MS-M3-2-05	Patch Cord LC/LC MM OM3 SX2 LS 5M
PA41-MDC-M4-2-05	Patch Cord LC/LC MM OM4 DX2 Clip LS 5M
PA41-MS-M4-2-05	Patch Cord LC/LC MM OM4 SX2 LS 5M

Connector Type LC = LC UPC, LCA = LC APC, Cable Type SM = Singlemode Fiber, MM = Multimode Fiber
 DX2 = Duplex 2.0 mm. Cable, DX3 = Duplex 3.0 mm. Cable, SX2 = Simplex 2.0 mm. Cable, SX3 = Simplex 3.0 mm. Cable, LSZH = Low Smoke Zero Halogen



Applications :

- CATV
- Telecommunication networks
- Active device termination
- Metro
- Local Area Networks (LANs)
- Data processing network
- Test equipment
- Premise installations
- Wide Area Networks (WANs)
- FTTX

Features :

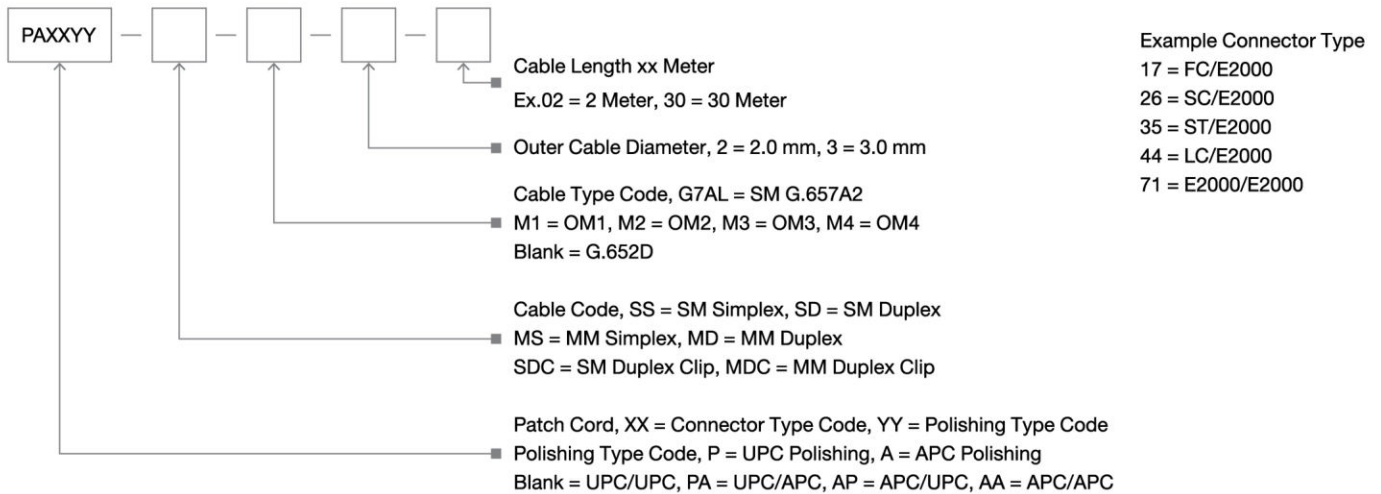
- Low insertion loss and back reflection loss
- Good exchangeability
- Good durability
- High temperature stability
- Standard : Telcordia GR-326-CORE, ITU-T

Availability :

- Simplex/Duplex patch cord available
- Various boot (Cable) size available

Specifications :

Parameter	Singlemode	Multimode
Insertion Loss	UPC \leq 0.2 dB, APC \leq 0.3 dB	\leq 0.3 dB
Return Loss	UPC \geq 50 dB, APC \geq 60 dB	N/A
Fiber Type	G.652D, G.655, G.657A2, G.657B3	OM2, OM3, OM4, OM5
Fiber Core/Cladding	9/125 μ m	50/125 μ m
Polishing Grade	UPC, APC	UPC
Wavelength	1310/1550 nm	850/1310 nm
Repeatability	\leq 0.1 dB	
Durability	\leq 0.2 dB typical change, 500 matings	
Interchangeability	\leq 0.2 dB	
Tensile Strength	$>$ 10 kg	
Cable Diameter	2.0, 2.4, 3.0 mm	
Cable Jacket	PVC, LSZH (Low Smoke Zero Halogen)	
Operation Temperature	-40 to +75°C	



Ordering Information :

P/N	Descriptions
PA71-SD-G7AL-2-05	Patch Cord E2000/E2000 SM G657A2 DX2 LS 5M
PA71-SS-G7AL-2-05	Patch Cord E2000/E2000 SM G657A2 SX2 LS 5M
PA71AA-SD-G7AL-2-05	Patch Cord E2000A/E2000A SM G657A2 DX2 LS 5M
PA71AA-SS-G7AL-2-05	Patch Cord E2000A/E2000A SM G657A2 SX2 LS 5M
PA71AA-SS-G7AL-3-05	Patch Cord E2000A/E2000A SM G657A2 SX3 LS 5M

Connector Type E2000 = E2000 UPC, E2000A = E2000 APC, Cable Type SM = Singlemode Fiber, MM = Multimode Fiber
DX2 = Duplex 2.0 mm. Cable, DX3 = Duplex 3.0 mm. Cable, SX2 = Simplex 2.0 mm. Cable, SX3 = Simplex 3.0 mm. Cable, LSZH = Low Smoke Zero Halogen



Applications :

- CATV
- Telecommunication networks
- Active device termination
- Metro
- Local Area Networks (LANs)
- Data processing network
- Test equipment
- Premise installations
- Wide Area Networks (WANs)
- FTTX

Features :

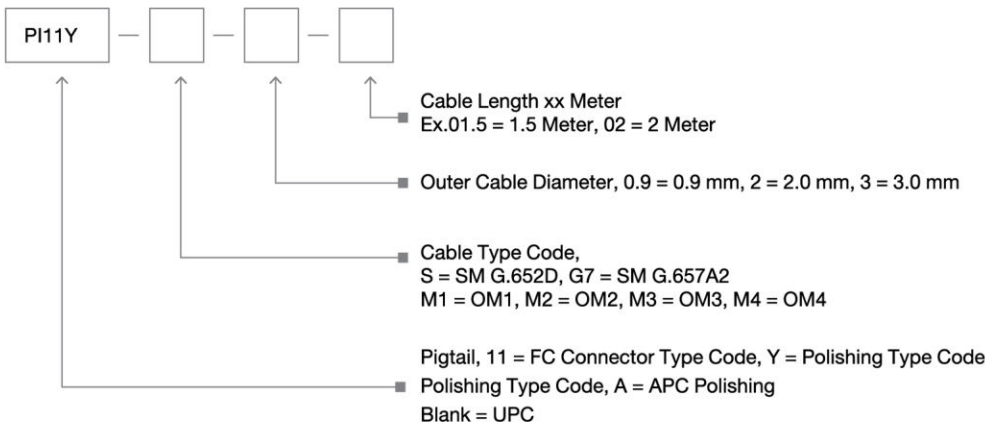
- Low insertion loss and back reflection loss
- Good exchangeability
- Good durability
- High temperature stability
- Standard : Telcordia GR-326-CORE, ITU-T

Availability :

- Pigtail available
- Various boot (Cable) size available

Specifications :

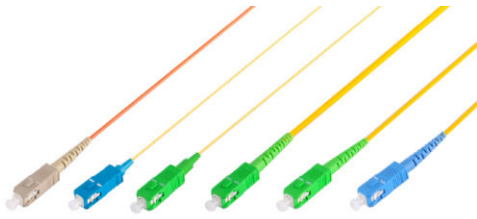
Parameter	Singlemode	Multimode
Insertion Loss	UPC ≤ 0.2 dB, APC ≤ 0.3 dB	≤ 0.3 dB
Return Loss	UPC ≥ 50 dB, APC ≥ 60 dB	N/A
Fiber Type	G.652D, G.655, G.657A2, G.657B3	OM2, OM3, OM4, OM5
Fiber Core/Cladding	9/125 μ m	50/125 μ m
Polishing Grade	UPC, APC	UPC
Wavelength	1310/1550 nm	850/1310 nm
Repeatability	≤ 0.1 dB	
Durability	≤ 0.2 dB typical change, 500 matings	
Interchangeability	≤ 0.2 dB	
Tensile Strength	> 10 kg	
Cable Diameter	0.9, 2.0, 2.4, 3.0 mm	
Cable Jacket	PVC, LSZH (Low Smoke Zero Halogen)	
Operation Temperature	-40 to $+75^{\circ}$ C	



Ordering Information :

P/N	Descriptions
PI11-S-2-01.5	Pigtail FC SM SX2 LS 1.5M
PI11-G7-2-01.5	Pigtail FC SM G657A2 SX2 LS 1.5M
PI11-G7-0.9-01.5	Pigtail FC SM G657A2 SX 0.9 LS 1.5M
PI11A-G7-2-01.5	Pigtail FCA SM G657A2 SX2 LS 1.5M
PI11-M2-2-01.5	Pigtail FC MM OM2 SX2 LS 1.5M
PI11-M3-2-01.5	Pigtail FC MM OM3 SX2 LS 1.5M

Connector Type FC = FC UPC, FCA = FC APC, Cable Type SM = Singlemode Fiber, MM = Multimode Fiber
 SX2 = Simplex 2.0 mm. Cable, SX3 = Simplex 3.0 mm. Cable, SX 0.9 = Simplex 0.9 mm. Cable, LSZH = Low Smoke Zero Halogen



Applications :

- CATV
- Telecommunication networks
- Active device termination
- Metro
- Local Area Networks (LANs)
- Data processing network
- Test equipment
- Premise installations
- Wide Area Networks (WANs)
- FTTX

Features :

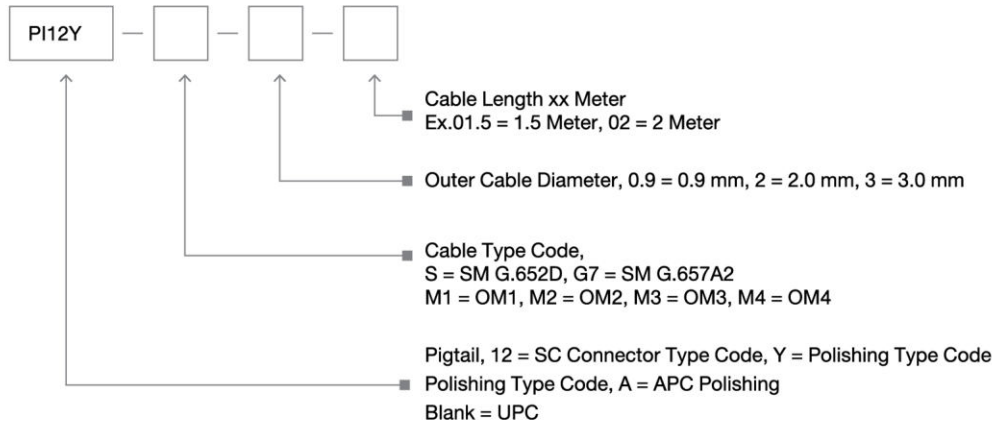
- Low insertion loss and back reflection loss
- Good exchangeability
- Good durability
- High temperature stability
- Standard : Telcordia GR-326-CORE, ITU-T

Availability :

- Pigtail available
- Various boot (Cable) size available

Specifications :

Parameter	Singlemode	Multimode
Insertion Loss	UPC ≤ 0.2 dB, APC ≤ 0.3 dB	≤ 0.3 dB
Return Loss	UPC ≥ 50 dB, APC ≥ 60 dB	N/A
Fiber Type	G.652D, G.655, G.657A2, G.657B3	OM2, OM3, OM4, OM5
Fiber Core/Cladding	9/125 μ m	50/125 μ m
Polishing Grade	UPC, APC	UPC
Wavelength	1310/1550 nm	850/1310 nm
Repeatability	≤ 0.1 dB	
Durability	≤ 0.2 dB typical change, 500 matings	
Interchangeability	≤ 0.2 dB	
Tensile Strength	> 10 kg	
Cable Diameter	0.9, 2.0, 2.4, 3.0 mm	
Cable Jacket	PVC, LSZH (Low Smoke Zero Halogen)	
Operation Temperature	-40 to $+75^{\circ}$ C	



Ordering Information :

P/N	Descriptions
PI12-S-2-01.5	Pigtail SC SM SX2 LS 1.5M
PI12-G7-2-01.5	Pigtail SC SM G657A2 SX2 LS 1.5M
PI12A-S-2-01.5	Pigtail SCA SM SX2 LS 1.5M
PI12A-G7-2-01.5	Pigtail SCA SM G657A2 SX2 LS 1.5M
PI12-G7-0.9-01.5	Pigtail SC SM G657A2 SX 0.9 LS 1.5M
PI12-M3-2-01.5	Pigtail SC MM OM3 SX2 LS 1.5M
PI12-M4-2-01.5	Pigtail SC MM OM4 SX2 LS 1.5M

Connector Type SC = SC UPC, SCA = SC APC, Cable Type SM = Singlemode Fiber, MM = Multimode Fiber
 SX2 = Simplex 2.0 mm. Cable, SX3 = Simplex 3.0 mm. Cable, SX 0.9 = Simplex 0.9 mm. Cable, LSZH = Low Smoke Zero Halogen



Applications :

- CATV
- Telecommunication networks
- Active device termination
- Metro
- Local Area Networks (LANs)
- Data processing network
- Test equipment
- Premise installations
- Wide Area Networks (WANs)
- FTTX

Features :

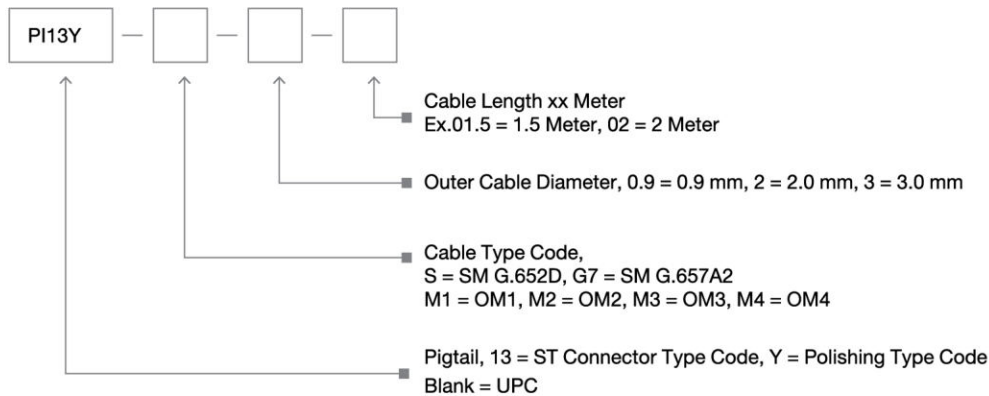
- Low insertion loss and back reflection loss
- Good exchangeability
- Good durability
- High temperature stability
- Standard : Telcordia GR-326-CORE, ITU-T

Availability :

- Pigtail available
- Various boot (Cable) size available

Specifications :

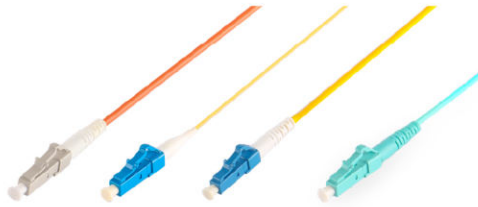
Parameter	Singlemode	Multimode
Insertion Loss	UPC \leq 0.2 dB, APC \leq 0.3 dB	\leq 0.3 dB
Return Loss	UPC \geq 50 dB, APC \geq 60 dB	N/A
Fiber Type	G.652D, G.655, G.657A2, G.657B3	OM2, OM3, OM4, OM5
Fiber Core/Cladding	9/125 μ m	50/125 μ m
Polishing Grade	UPC, APC	UPC
Wavelength	1310/1550 nm	850/1310 nm
Repeatability	\leq 0.1 dB	
Durability	\leq 0.2 dB typical change, 500 matings	
Interchangeability	\leq 0.2 dB	
Tensile Strength	$>$ 10 kg	
Cable Diameter	0.9, 2.0, 2.4, 3.0 mm	
Cable Jacket	PVC, LSZH (Low Smoke Zero Halogen)	
Operation Temperature	-40 to +75 °C	



Ordering Information :

P/N	Descriptions
PI13-S-2-01.5	Pigtail ST SM SX2 LS 1.5M
PI13-G7-2-01.5	Pigtail ST SM G657A2 SX2 LS 1.5M
PI13-G7-0.9-01.5	Pigtail ST SM G657A2 SX 0.9 LS 1.5M
PI13-M2-2-01.5	Pigtail ST MM OM2 SX2 LS 1.5M

Connector Type ST = ST UPC, Cable Type SM = Singlemode Fiber, MM = Multimode Fiber
 SX2 = Simplex 2.0 mm. Cable, SX3 = Simplex 3.0 mm. Cable, SX 0.9 = Simplex 0.9 mm. Cable, LSZH = Low Smoke Zero Halogen



Applications :

- CATV
- Telecommunication networks
- Active device termination
- Metro
- Local Area Networks (LANs)
- Data processing network
- Test equipment
- Premise installations
- Wide Area Networks (WANs)
- FTTX

Features :

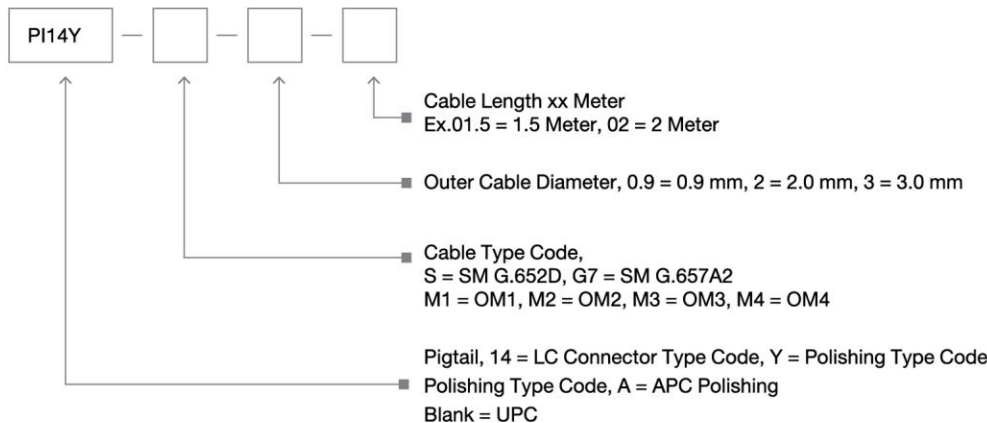
- Low insertion loss and back reflection loss
- Good exchangeability
- Good durability
- High temperature stability
- Standard : Telcordia GR-326-CORE, ITU-T

Availability :

- Pigtail available
- Various boot (Cable) size available

Specifications :

Parameter	Singlemode	Multimode
Insertion Loss	UPC ≤ 0.2 dB, APC ≤ 0.3 dB	≤ 0.3 dB
Return Loss	UPC ≥ 50 dB, APC ≥ 60 dB	N/A
Fiber Type	G.652D, G.655, G.657A2, G.657B3	OM2, OM3, OM4, OM5
Fiber Core/Cladding	9/125 μ m	50/125 μ m
Polishing Grade	UPC, APC	UPC
Wavelength	1310/1550 nm	850/1310 nm
Repeatability	≤ 0.1 dB	
Durability	≤ 0.2 dB typical change, 500 matings	
Interchangeability	≤ 0.2 dB	
Tensile Strength	> 10 kg	
Cable Diameter	0.9, 2.0, 2.4, 3.0 mm	
Cable Jacket	PVC, LSZH (Low Smoke Zero Halogen)	
Operation Temperature	-40 to $+75^{\circ}$ C	



Ordering Information :

P/N	Descriptions
PI14-S-2-01.5	Pigtail LC SM SX2 LS 1.5M
PI14-G7-2-01.5	Pigtail LC SM G657A2 SX2 LS 1.5M
PI14-G7-0.9-01.5	Pigtail LC SM G657A2 SX 0.9 LS 1.5M
PI14A-S-2-01.5	Pigtail LCA SM SX2 LS 1.5M
PI14-M3-2-01.5	Pigtail LC MM OM3 SX2 LS 1.5M
PI14-M4-2-01.5	Pigtail LC MM OM4 SX2 LS 1.5M

Connector Type LC = LC UPC, LCA = LC APC, Cable Type SM = Singlemode Fiber, MM = Multimode Fiber
 SX2 = Simplex 2.0 mm. Cable, SX3 = Simplex 3.0 mm. Cable, SX 0.9 = Simplex 0.9 mm. Cable, LSZH = Low Smoke Zero Halogen


Applications :

- CATV
- Telecommunication networks
- Active device termination
- Metro
- Local Area Networks (LANs)
- Data processing network
- Test equipment
- Premise installations
- Wide Area Networks (WANs)
- FTTX

Features :

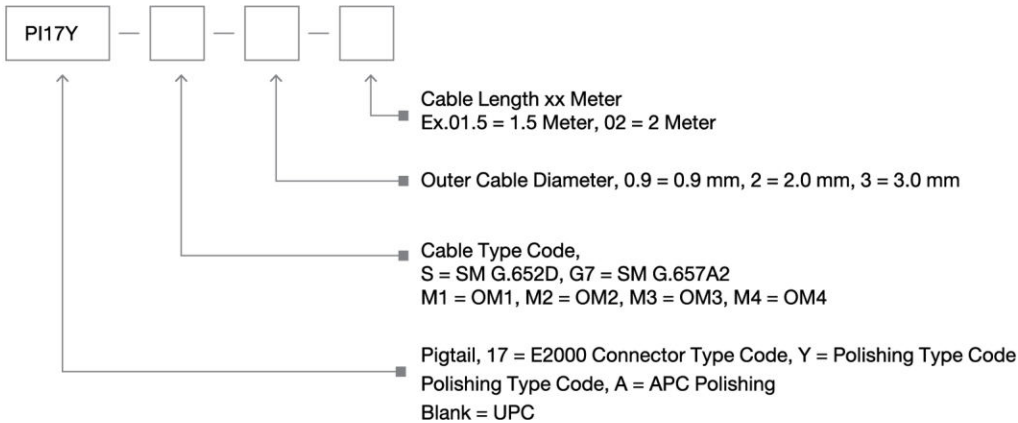
- Low insertion loss and back reflection loss
- Good exchangeability
- Good durability
- High temperature stability
- Standard : Telcordia GR-326-CORE, ITU-T

Availability :

- Pigtail available
- Various boot (Cable) size available

Specifications :

Parameter	Singlemode	Multimode
Insertion Loss	UPC \leq 0.2 dB, APC \leq 0.3 dB	\leq 0.3 dB
Return Loss	UPC \geq 50 dB, APC \geq 60 dB	N/A
Fiber Type	G.652D, G.655, G.657A2, G.657B3	OM2, OM3, OM4, OM5
Fiber Core/Cladding	9/125 μ m	50/125 μ m
Polishing Grade	UPC, APC	UPC
Wavelength	1310/1550 nm	850/1310 nm
Repeatability	\leq 0.1 dB	
Durability	\leq 0.2 dB typical change, 500 matings	
Interchangeability	\leq 0.2 dB	
Tensile Strength	$>$ 10 kg	
Cable Diameter	0.9, 2.0, 2.4, 3.0 mm	
Cable Jacket	PVC, LSZH (Low Smoke Zero Halogen)	
Operation Temperature	-40 to +75 °C	


Ordering Information :

P/N	Descriptions
PI17-S-2-01.5	Pigtail E2000 SM SX2 LS 1.5M
PI17-G7-2-01.5	Pigtail E2000 SM G657A2 SX2 LS 1.5M
PI17A-S-2-01.5	Pigtail E2000A SM SX2 LS 1.5M
PI17A-G7-2-01.5	Pigtail E2000A SM G657A2 SX2 LS 1.5M
PI17A-G7-0.9-01.5	Pigtail E2000A SM G657A2 SX 0.9 LS 1.5M
PI17-M3-2-01.5	Pigtail E2000 MM OM3 SX2 LS 1.5M
PI17-M4-2-01.5	Pigtail E2000 MM OM4 SX2 LS 1.5M

Connector Type E2000 = E2000 UPC, E2000A = E2000 APC, Cable Type SM = Singlemode Fiber, MM = Multimode Fiber
 SX2 = Simplex 2.0 mm. Cable, SX3 = Simplex 3.0 mm. Cable, SX 0.9 = Simplex 0.9 mm. Cable, LSZH = Low Smoke Zero Halogen