

### Applications :

- CATV
- Telecommunication networks
- Active device termination
- Metro
- Local Area Networks (LANs)
- Data processing network
- Test equipment
- Premise installations
- Wide Area Networks (WANs)
- FTTX

### Features :

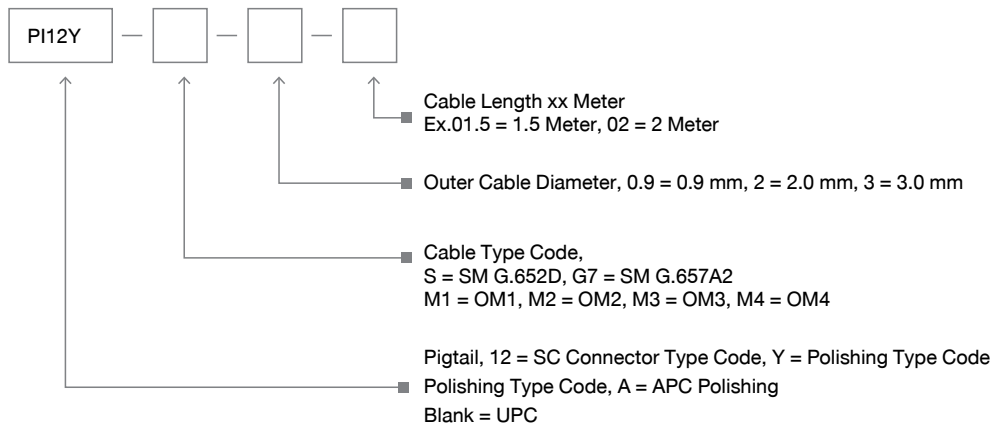
- Low insertion loss and back reflection loss
- Good exchangeability
- Good durability
- High temperature stability
- Standard : Telcordia GR-326-CORE, ITU-T

### Availability :

- Pigtail available
- Various boot (Cable) size available

### Specifications :

Parameter	Singlemode	Multimode
Insertion Loss	UPC $\leq 0.2$ dB, APC $\leq 0.3$ dB	$\leq 0.3$ dB
Return Loss	UPC $\geq 50$ dB, APC $\geq 60$ dB	N/A
Fiber Type	G.652D, G.655, G.657A2, G.657B3	OM2, OM3, OM4, OM5
Fiber Core/Cladding	9/125 $\mu$ m	50/125 $\mu$ m
Polishing Grade	UPC, APC	UPC
Wavelength	1310/1550 nm	850/1310 nm
Repeatability	$\leq 0.1$ dB	
Durability	$\leq 0.2$ dB typical change, 500 matings	
Interchangeability	$\leq 0.2$ dB	
Tensile Strength	$> 10$ kg	
Cable Diameter	0.9, 2.0, 2.4, 3.0 mm	
Cable Jacket	PVC, LSZH (Low Smoke Zero Halogen)	
Operation Temperature	$-40$ to $+75^{\circ}$ C	



### Ordering Information :

P/N	Descriptions
PI12-S-2-01.5	Pigtail SC SM SX2 LS 1.5M
PI12-G7-2-01.5	Pigtail SC SM G657A2 SX2 LS 1.5M
PI12A-S-2-01.5	Pigtail SCA SM SX2 LS 1.5M
PI12A-G7-2-01.5	Pigtail SCA SM G657A2 SX2 LS 1.5M
PI12-G7-0.9-01.5	Pigtail SC SM G657A2 SX 0.9 LS 1.5M
PI12-M3-2-01.5	Pigtail SC MM OM3 SX2 LS 1.5M
PI12-M4-2-01.5	Pigtail SC MM OM4 SX2 LS 1.5M

Connector Type SC = SC UPC, SCA = SC APC, Cable Type SM = Singlemode Fiber, MM = Multimode Fiber  
 SX2 = Simplex 2.0 mm. Cable, SX3 = Simplex 3.0 mm. Cable, SX 0.9 = Simplex 0.9 mm. Cable, LSZH = Low Smoke Zero Halogen