

Applications :

- CATV
- Telecommunication networks
- Active device termination
- Metro
- Local Area Networks (LANs)
- Data processing network
- Test equipment
- Premise installations
- Wide Area Networks (WANs)
- FTTX

Features :

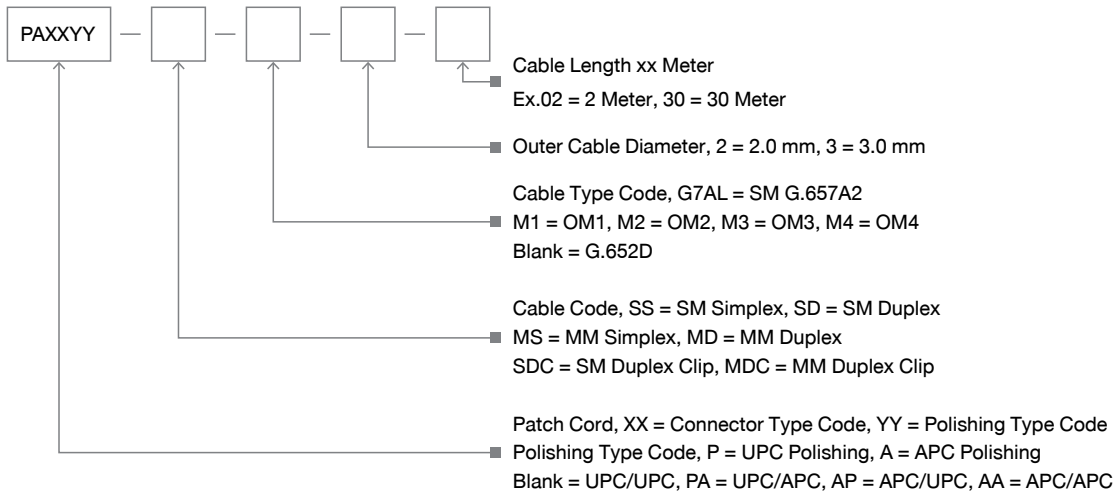
- Low insertion loss and back reflection loss
- Good exchangeability
- Good durability
- High temperature stability
- Standard : Telcordia GR-326-CORE, ITU-T

Availability :

- Simplex/Duplex patch cord available
- Various boot (Cable) size available

Specifications :

Parameter	Singlemode	Multimode
Insertion Loss	UPC ≤ 0.2 dB, APC ≤ 0.3 dB	≤ 0.3 dB
Return Loss	UPC ≥ 50 dB, APC ≥ 60 dB	N/A
Fiber Type	G.652D, G.655, G.657A2, G.657B3	OM2, OM3, OM4, OM5
Fiber Core/Cladding	9/125 μm	50/125 μm
Polishing Grade	UPC, APC	UPC
Wavelength	1310/1550 nm	850/1310 nm
Repeatability	≤ 0.1 dB	
Durability	≤ 0.2 dB typical change, 500 matings	
Interchangeability	≤ 0.2 dB	
Tensile Strength	> 10 kg	
Cable Diameter	2.0, 2.4, 3.0 mm	
Cable Jacket	PVC, LSZH (Low Smoke Zero Halogen)	
Operation Temperature	-40 to +75 °C	



Example Connector Type

- 12 = FC/SC
- 21 = SC/SC
- 22 = SC/ST
- 23 = SC/LC
- 26 = SC/E2000

Ordering Information :

P/N	Descriptions
PA21-SDC-G7AL-2-05	Patch Cord SC/SC SM G657A2 DX2 Clip LS 5M
PA21-SS-G7AL-2-05	Patch Cord SC/SC SM G657A2 SX2 LS 5M
PA21AA-SDC-G7AL-2-05	Patch Cord SCA/SCA SM G657A2 DX2 Clip LS 5M
PA21AA-SS-G7AL-3-05	Patch Cord SCA/SCA SM G657A2 SX3 LS 5M
PA21-SDC-2-05	Patch Cord SC/SC SM DX2 Clip LS 5M
PA21-SS-2-05	Patch Cord SC/SC SM SX2 LS 5M
PA21AA-SDC-2-05	Patch Cord SCA/SCA SM DX2 Clip LS 5M
PA21AA-SS-2-05	Patch Cord SCA/SCA SM SX2 LS 5M
PA21-MDC-M3-2-05	Patch Cord SC/SC MM OM3 DX2 Clip LS 5M
PA21-MS-M3-2-05	Patch Cord SC/SC MM OM3 SX2 LS 5M
PA21-MDC-M4-2-05	Patch Cord SC/SC MM OM4 DX2 Clip LS 5M
PA21-MS-M4-2-05	Patch Cord SC/SC MM OM4 SX2 LS 5M

Connector Type SC = SC UPC, SCA = SC APC, Cable Type SM = Singlemode Fiber, MM = Multimode Fiber
 DX2 = Duplex 2.0 mm. Cable, DX3 = Duplex 3.0 mm. Cable, SX2 = Simplex 2.0 mm. Cable, SX3 = Simplex 3.0 mm. Cable, LSZH = Low Smoke Zero Halogen